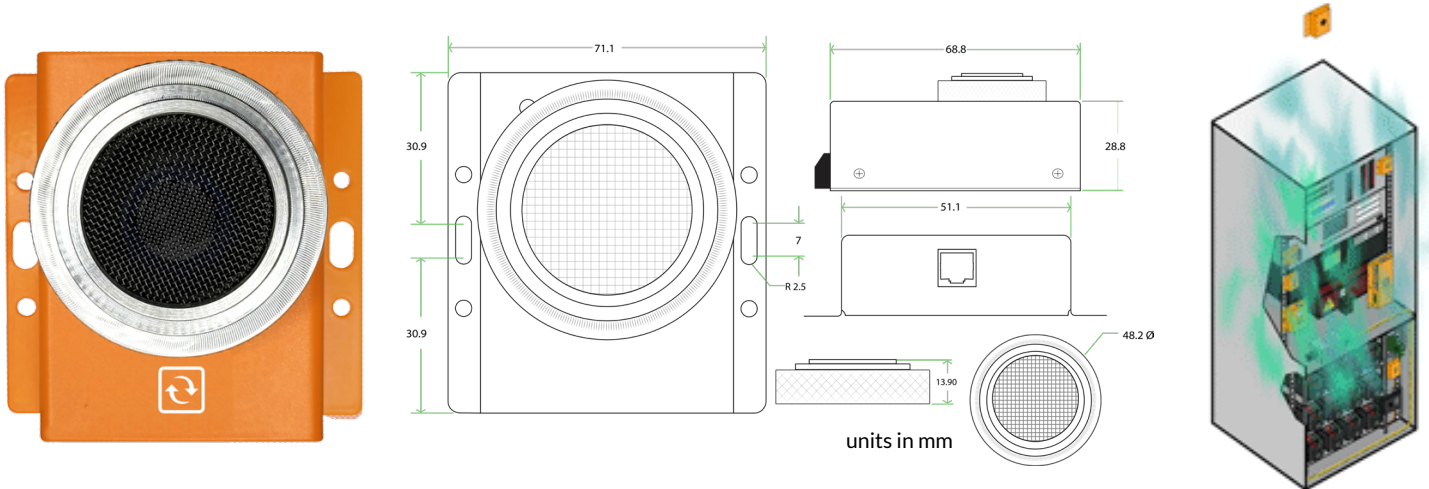




Hydrogen Chloride (HCL) Gas Sensor (GAS-HCL)



Digital sensor designed for monitoring and measuring the level of Hydrogen Chloride (HCL) in the ambient air.

Sensor Metrics:

| | |
|-----------------------------|---|
| Measurement range | 0-50 ppm |
| Max detecting concentration | 100 ppm |
| Response time (T90) | ≤70 seconds |
| Warm up time | 6-48 hours |
| Calibration frequency | up to 1 year |
| Life span | 2 years |
| Cross sensitivity | Hydrogen Sulfide (H2S), Sulfur Dioxide (SO2), Nitric Oxide (NO) |
| Detection technology | Electrochemical |

Technical Specifications:

| | |
|----------------------------------|--|
| Powered by and communicates with | Base Unit (BASE-XX) (required) Requires the optional BASE-FW-SSLS firmware add on for the Base Unit |
| Connectivity | RJ45 cable transmitting data & power from Base Unit to Sensor |
| Cable specification | RJ45 CAT 6/7 recommended Up to 100m (330ft) subject to cable quality & interference |
| Sensor power usage | 216 mW |

Environmental Specifications:

| | |
|----------------------------------|---------------------------------|
| Operating temperature range | -20°C to +50°C (-4°F to +122°F) |
| Humidity (operating and storage) | < 90% rH (non-condensating) |

Physical Specifications:

| | |
|------------------|--|
| Sensor enclosure | Steel enclosure, industrial grade |
| Mounting option | OU rack, DIN rail, magnetic or wall mountable sensor |
| Dimensions | 71.1mm (2.8") x 68.8mm (2.71") x 28.8 mm (1.13") |
| Weight | 193g (0.43lbs) |