



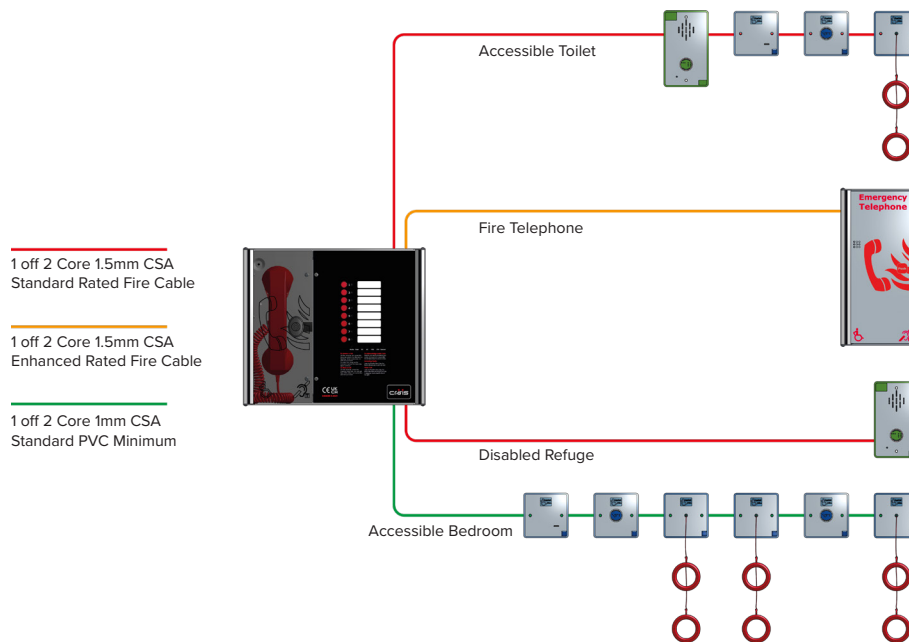
EVC Standalone Master Station

Quick Start Guide

The Crisis EVC Standalone Master Station is a ready out of the box EVC system suitable for standalone applications up to 8 lines. It is very simple to install, requiring no set up or software, and is compatible with Vox Ignis range of Type A, Type B, Type C outstations and the Assist Call range of emergency assistance alarms.



This guide summarises applicable information from the full installation guide, which is available by scanning the QR code.



1 Mounting Information

Master stations should be mounted in fire control rooms or next to the fire alarm panel at a mounting height of between 1.4 and 1.5m above finished floor level to the centre of the controls. Type A outstations (fire telephone) are generally fitted in fire-fighting lobbies and fire and rescues access points at 1.3 to 1.4m above (FFL). Type B outstations are used in disabled refuges at a mounting height of 0.9m to 1.2m (FFL). For Emergency assistance alarms see Crisis Call Assist instructions.

2 Cable Information

- Fire telephone systems utilise Type A outstations and must use enhanced grade fire resistant cabling throughout for all wiring, including the mains supply to the master station. Max distance using 1mm or 1.5mm cable is 500m from outstation to master station.
- Disabled Refuge systems utilise Type B outstations, they are wired in standard or enhanced grade fire resistant cabling Refer to BS5839-9:2021 for full details.
- Max distance using 1mm or 1.5mm cable is 500m from outstation to master station.
- Emergency assistance alarms (Assist Call) for dedicated circuits use 1mm 2 core flex for lengths of 500m from the master or security cable for shorter lengths from up to 50m for 2 cores up to 200m if 4 cores are twisted together. If sharing with a Type B use the same grade of fire resistant cable.

3 Important Safety Information

This Equipment must only be installed and maintained by a suitably skilled and competent person. This Equipment is defined as Class 1 in EN60065 (Low Voltage Directive) and must be EARTHED.



	<p>Caution: Indoor Use Only Warning: Shock Hazard - Isolate Before Opening Warning: TO REDUCE THE RISK OF FIRE OR ELECTRIC SHOCK, DO NOT EXPOSE THIS UNIT TO RAIN OR MOISTURE Warning: THIS UNIT MUST BE EARTHED Warning: NO USER SERVICEABLE PARTS</p>
--	---

Each Crisis EVC Standalone Master Station requires local isolation with verification as per the Electricity at Work Regulations 1989, returning to a B6A breaker clearly marked 'EMERGENCY VOICE COMMUNICATION SYSTEM. DO NOT TURN OFF'.



Anti-static handling guidelines

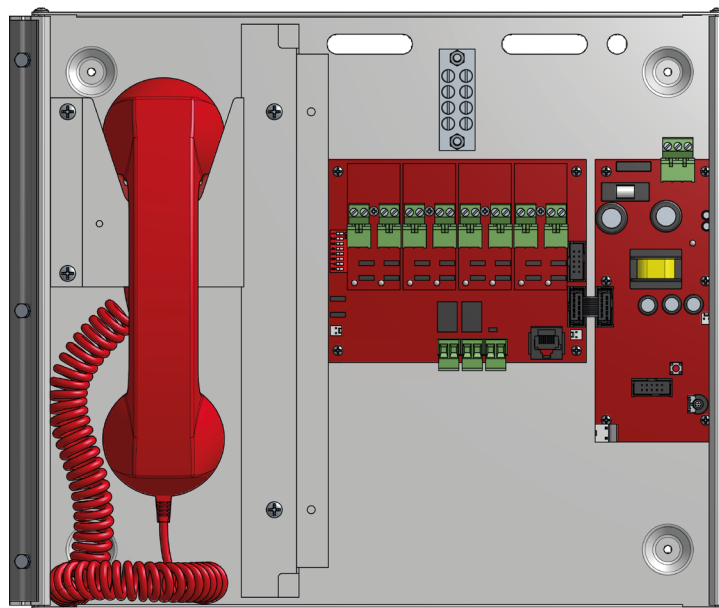
Make sure that electrostatic handling precautions are taken immediately before handling PCBs and other static sensitive components. Before handling any static-sensitive items, operators should get rid of any electrostatic charge by touching a sound safety earth. Always handle PCBs by their sides and avoid touching any components.

4 Battery Information

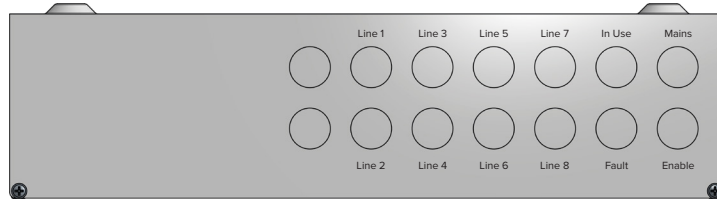
In the event of mains failure BS5839 Part 9:2021 requires battery backup for 24 hours standby and 3 hours operation thereafter. A Crisis EVC Standalone Master Station requires one number 12V 7AH vent regulated sealed lead acid battery. The battery is not supplied with the Master Station. Eurofyre recommend Yuasa NP7-12.

	<p>Safety Information: Sealed Lead Acid batteries contain sulphuric acid which can cause burns if exposed to the skin. The low internal resistance of these batteries mean large currents will flow if they are accidentally short-circuited causing burns and a risk of fire. Exercise caution when handling batteries.</p> <p>Power Up Procedure: Always apply mains power before connecting batteries. When connecting batteries, always connect the Positive (Red +) terminal first.</p> <p>Power Down Procedure Disconnect the batteries before removing the mains power. When disconnecting batteries, always remove the Negative (Black -) terminal first.</p>
--	---

5 Installation



Prior to mounting the Crisis EVC Standalone Master Station, it should be decided if the field wiring is to be run on the surface or concealed. There are 14 knockouts on the top and 2 slotted entries with a dedicated mains supply entry at the rear. If a knockout is removed by mistake, fill the hole with a good quality cable gland.



Unused knockouts must be left unopened to comply with the Low Voltage Directive. Accidentally knocked out holes should be blanked off. The Crisis EVC Standalone Master Station weighs 6kg with batteries, so care should be taken to securely mount the Station on stud walling.

6 Commissioning Procedure

The commissioning should be carried out by a competent person who has a basic knowledge and understanding of the design and installation sections of BS5839-9:2011, and has access to the specification of the project.

1. All wiring should have been checked and be fault free and 10KΩ EOL resistor fitted. The mains and battery can be connected- AC, DC and Mode LEDs should be green.
2. Connect EVC/ Assist Call wiring to the Line cards.
3. Perform intelligibility tests, visit each outstation in turn press call for a Type B or lift the handset in a type A. A 2nd person is required to answer the call
4. Where Assist Call is fitted, all pull cords in each circuit should be tested, acknowledged at the panel, cancelled at the call location. Ensure all controls and indicators operate correctly.

7 Indications and Controls



7.1 Mode Indicator Summary

Mode	Description
Green Solid	Normal state
Red Solid	Outstation off hook
Blue Solid	Assist call active
Yellow Solid	Refuge (type B) points disabled
Flashing Red/Blue	Incoming call/ Assist Call alarm at same time

8 Operation

All conversations are under the command of the Crisis EVC Standalone Master Station.

8.1 Receiving a Call

1. One of the eight zone LEDs and the mode LED will flash red to indicate an incoming call. The flash rate will identify the outstation type, with a Type A outstation having a faster flash rate than a Type B outstation.
2. Lift the Master handset receiver. The User LED will illuminate Red.
3. Press the corresponding zone button (indicated by the red flashing LED). This LED and the User LED will change to flashing green to show that this line is now connected, and a conversation can take place.

8.2 Making a Call

1. To make a call, lift the Master handset receiver and the User LED will illuminate red.
2. Press the zone button for the required outstation. The corresponding zone LED will flash red. This flash rate will be slower than the flash rate for either an incoming Type A or Type B call.
3. When the outstation answers the call, the zone LED flashes green, the mode LED illuminates red and the user flashes green to indicate this line is now connected and a conversation can take place.

8.3 Ending a Call

- To end the call from the outstation, either replace the Type A receiver back on its hook or press the call/cancel button for a Type B outstation.
- To end a conversation from the Crisis EVC Standalone Master Station, replace the Master handset receiver back on its hook.



This will not end the call, only the conversation. The outstation will revert back to requesting a call, and the zone LED will flash red to indicate this. The call **MUST** be ended at the outstation.

8.4 Assist Call Alarm Operation

- When an "Assist Call" goes into alarm, the appropriate zone LED will flash blue, and a two-tone buzzer sounds to indicate that an "Assist Call" alarm has been operated.
- To acknowledge the alarm, press the corresponding zone button, and the blue LED will illuminate continuously with an intermittent buzzer tone every 15 seconds.
- If after 2 minutes the "Assist Call" alarm has not been cancelled, the buzzer will resound, and the LED will flash blue.

8.4 Accepting Faults

- To accept the fault, enter either the access level 2 (code: 1664) or access level 3 (code: 1812) menu, then press zone button 1.