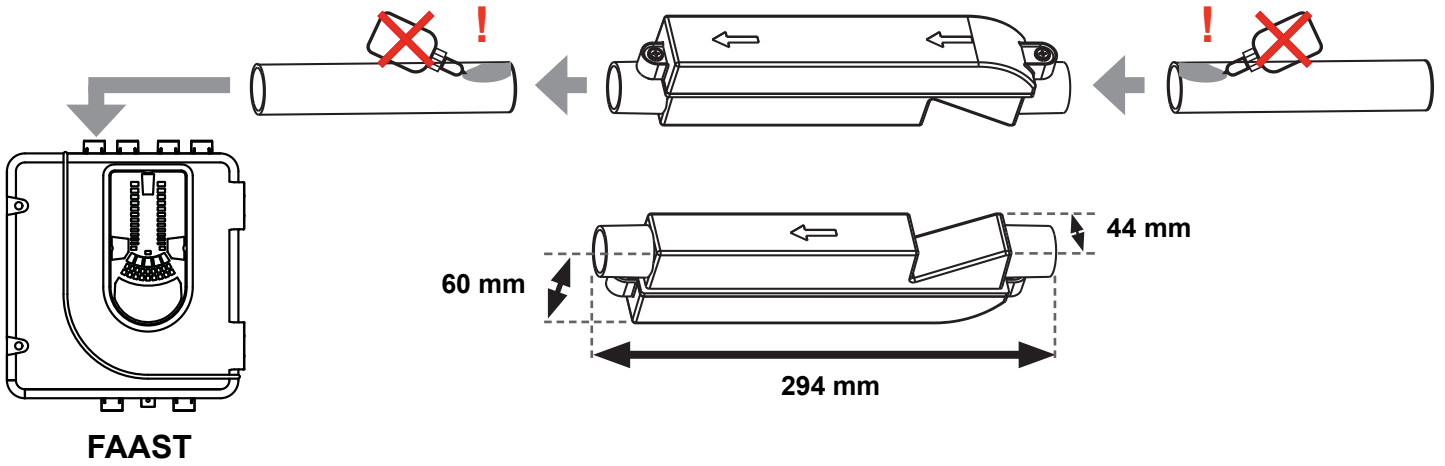


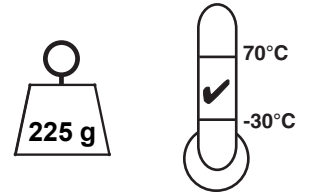
INSTALLATION



SPECIFICATION

Compatible with:
FAAST LT -HS ✓ (e.g. FL0122E-HS)
FAAST XS ✓
FAAST XM ✓
FAAST XT ✓

⚠
 \geq PipelQ 2.9 ✓



F-INF-25-RF
REPLACEMENT FILTER PACK

CHANGING THE FILTERS

