

The VESDA-E VEA series of detectors combines VESDA reliability and early warning smoke detection with pinpoint addressability and a variety of annunciation options that truly surpass traditional detectors. VEA detectors use air sampling points and multiple microbore air sampling tubes with three alarm sensitivity settings.

The VESDA-E VEA stainless steel sampling point provides a more discreet smoke detection. Using a dedicated installation tool and perforated sampling area the VEA stainless steel sampling point provides a tamperproof solution that is ideal for correctional and educational applications. The low profile of the VEA stainless steel sampling point makes it ideal for installation in cabinets or narrow spaces.

Fully interchangeable with the standard VSP-980 (plastic) sampling point the VEA stainless steel sampling point connects to 6mm VEA sampling tube via simple “push fit” connection to allow rapid and reliable installation. Patented VEA sampling point allows full tube integrity monitoring for centralised test and maintenance at the VEA detector; significantly reducing ongoing maintenance time and cost.

VEA stainless steel sampling points are available to suit three different mounting arrangements:

1. Standard Arrangement

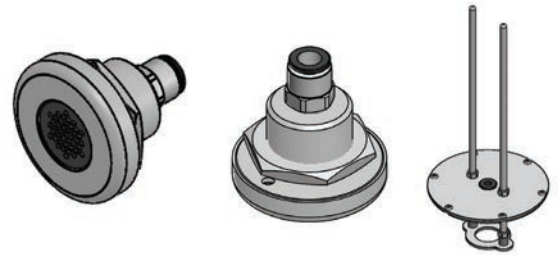
Sampling points are designed for a ceiling with a void where microbore tubes are run in the void and sampling points are mounted in the ceiling. Sampling points can either be directly screwed to the ceiling or can be threaded into 1/2” NPT conduits. This allows blind mounting without any need to access the ceiling void once the microbore tubes are installed and passed through the ceiling.

2. Cabinet Arrangement

Sampling points are designed for use in cabinets where it can be mounted on top of cabinet using the nut arrangement.

3. Open Duct Arrangement

Sampling points are designed for use in open duct application by using VSP-1008 duct mounting kit. In open duct application, these sampling points can be mounted onto duct kit using simple nut arrangement and then entire assembly can be mounted into open duct. This arrangement is recommended for open duct sizes from 4” to 12”.



Features

- Stainless Steel
- Tamperproof
- Suitable for plenum applications
- Low Profile
- Mounting Options:
 - Ceiling
 - Cabinet
 - Open Duct (with duct kit)
- Compatible with 6mm VEA microbore tube
- Easy Installation
- Fully supervised by VEA detector

Applications

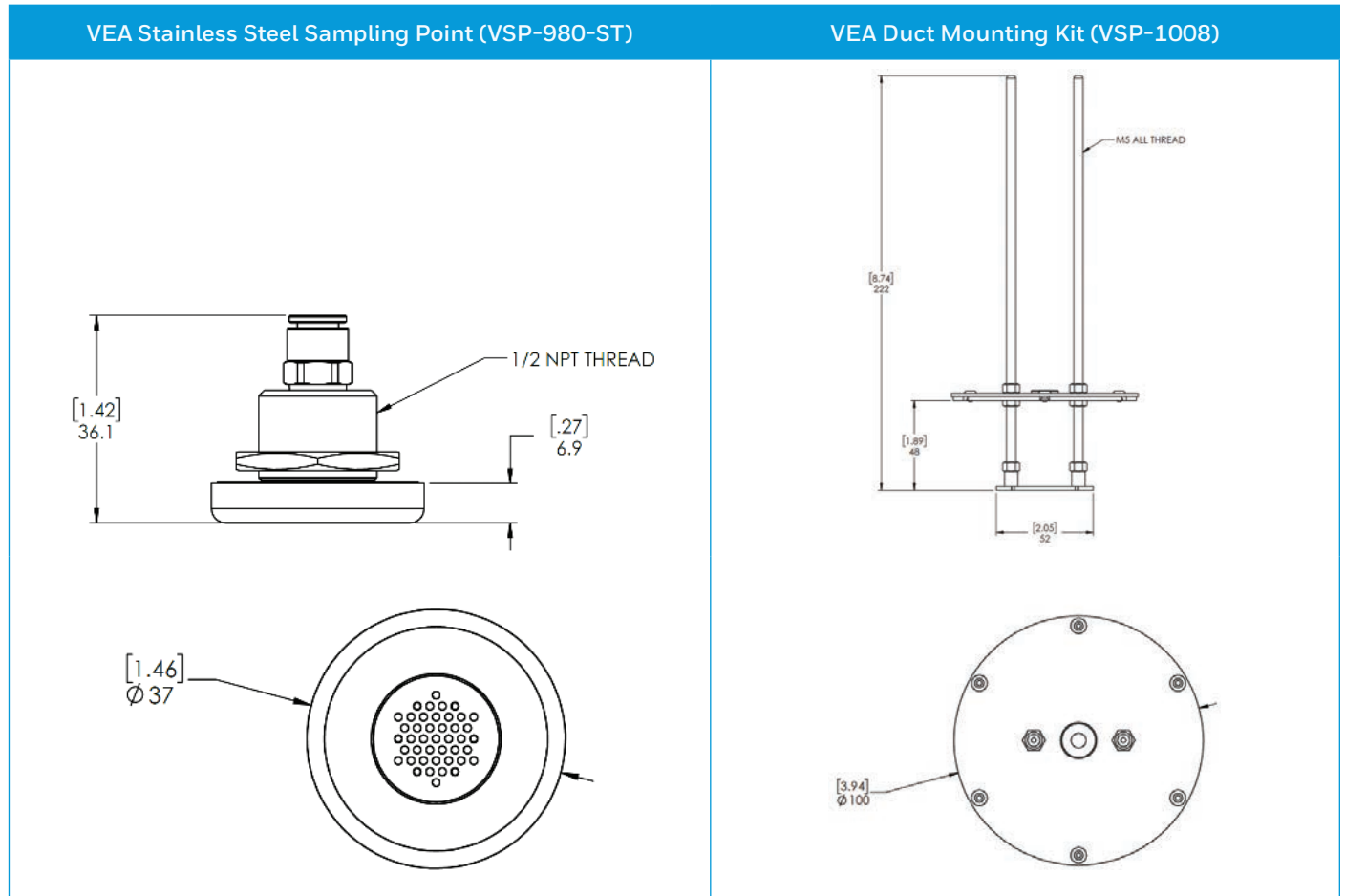
- Education
- Healthcare
- Apartments / residential
- Offices
- Retail
- Prisons
- Electrical cabinets
- Airports
- Metros
- Museums

VESDA-E VEA

STAINLESS STEEL SAMPLING POINT TECHNICAL SPECIFICATIONS



Dimensions (Sampling Point and Duct Mounting Kit)



Ordering Information

Ordering Information	Description
VSP-980-ST	VESDA-E VEA Stainless Steel Sample Point
VSP-1007	VESDA-E VEA VSP-980-ST Sample Point Installation Tool
VSP-1008	VESDA-E VEA VSP-980-ST Sample Point Duct Kit